


|  |   |  |
|--|---|--|
|  | प्लाज्मा भौतिकी केंद्र - प्लाज्मा अनुसंधान संस्थान              |  |
|  | <b>CENTRE OF PLASMA PHYSICS - INSTITUTE FOR PLASMA RESEARCH</b> |  |
|  | नजिराखात, सोनापुर-७८२ ४०२, असम, भारत                            |  |
|  | Nazirakhat, Sonapur-782 402, Assam, India.                      |  |
| Tel. :- 0361 - 2220010/2313116   |   | E-mail :- <a href="mailto:enquiry@cpiipr.res.in">enquiry@cpiipr.res.in</a> |
| Fax :- 0361 - 2313110  |   |  |

**ENQUIRY**

ENQUIRY NO : CPP-IPR/EQL/2021-22/67  
DATE : 03.11.2021

**DUE ON: 30-11-2021 by 1:00 PM IST**

Please send your offer in sealed envelope specifying Enquiry No, Date & Due Date, ALONG WITH your credentials for the following items which we are interested to purchase.

**Important Note:**

Please note that e-mail quotations are not acceptable however you may send your queries (if any) to [enquiry@cpiipr.res.in](mailto:enquiry@cpiipr.res.in)

Please ensure your sealed quotation reaches this office not later than the above mentioned due date and time.

Kindly go through the following documents properly before quoting which are attached herewith.

1. Instruction to the bidders & Terms and conditions (refer Form No: CPP-IPR-EQL-01. V2)
2. Bidding format

GST for Goods and Services (IGST/CGST/SGST TAX BENEFITS): Please refer clause no: 8 of Form No: CPP-IPR-EQL-01. V2

QUOTATION SHOULD BE ADDRESSED TO CHAIRMAN, PURCHASE OFFICER ONLY

| Sr. No. | Description  | Specification           | Quantity          | Unit |
|---------|--|-------------------------|-------------------|------|
| 1       | Fabrication and supply of Retarding Field Energy Analyzer (RFEA) Assembly with 0.5 mm, 1 mm, 1.5 mm, 2 mm spacer | As given in Annexure -A | <b>01 (One)</b>   | Set. |
| 2       | Fabrication and supply of Helicon probe with 110 mm extension  | As given in Annexure -A | <b>01 (One)</b>   | Set. |
| 3       | Extension bend pipe. Lengths 80 mm, 55 mm and 25 mm  | As given in Annexure -A | <b>03 (Three)</b> | Nos. |

**Note:**

1. **Unsigned quotations are not acceptable.** Quotation should be submitted duly signed and seal on ALL PAGES invariably.
2. Quotation to be submitted in INDIAN CURRENCY. Quotations received other than Indian Rupees will be rejected
3. Customs Duty Exemption Certificate will not be issued.
4. Delivery Period: Within 2 (Two) months from the date of purchase/work order.
5. TDS as per CGST ACT: As per provisions of section No. 51 of the CGST Act 2017, TDS @2% (IGST 2% or CGST 1% and SGST 1%) will be deducted while making payment to the suppliers where total value of orders/contracts/work orders exceeds Rs. 2.5 lakhs.

*Jitendra Kumar Barik*

Chairman Purchase Committee

## Annexure -A

### Specifications: RFEA Assembly and Helicon Probe with extension

| Sl. No. | Item   | Description/Values/Range  |
|---------|--|---|
| 1       | Fabrication and supply of Retarding Field Energy Analyzer (RFEA) Assembly with 0.5 mm, 1 mm, 1.5 mm, 2 mm spacer | Design, length, and dimension should be as per the specification given in the Annexure-I  |
| 2       | Fabrication and supply of Helicon probe with 110 mm extension  | Design, length, and dimension should be as per the specification given in the Annexure-II |
| 3       | Extension bend pipe. Lengths 80 mm, 55 mm and 25 mm  |   |

**Terms and Conditions:** i) Drawings and technical documents, if any, to be submitted to CPP-IPR for approval before commencing fabrication.

ii) Surface finish: 3 delta

iii) Tolerance: +/-0.1 mm

**Acceptance criteria:**

i) Declaration from manufacturer that items are compatible for use in vacuum upto  $10^{-6}$  mbar.

ii) Dimensional check on specifications confirming compliance will be performed at CPP-IPR after delivery.

### Annexure-I

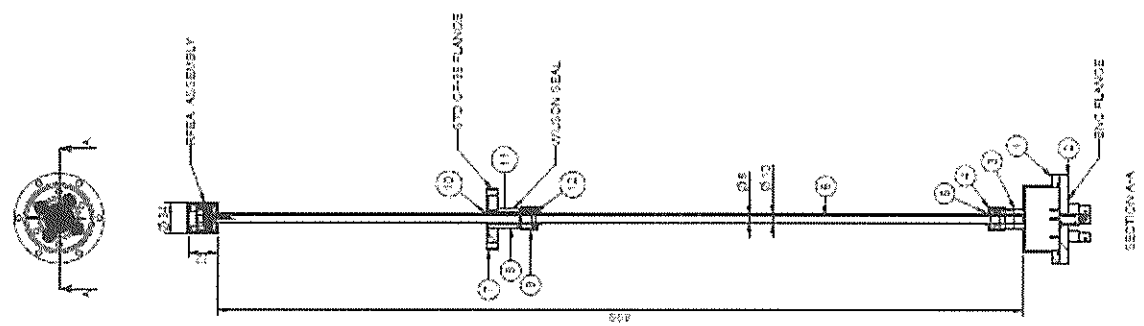
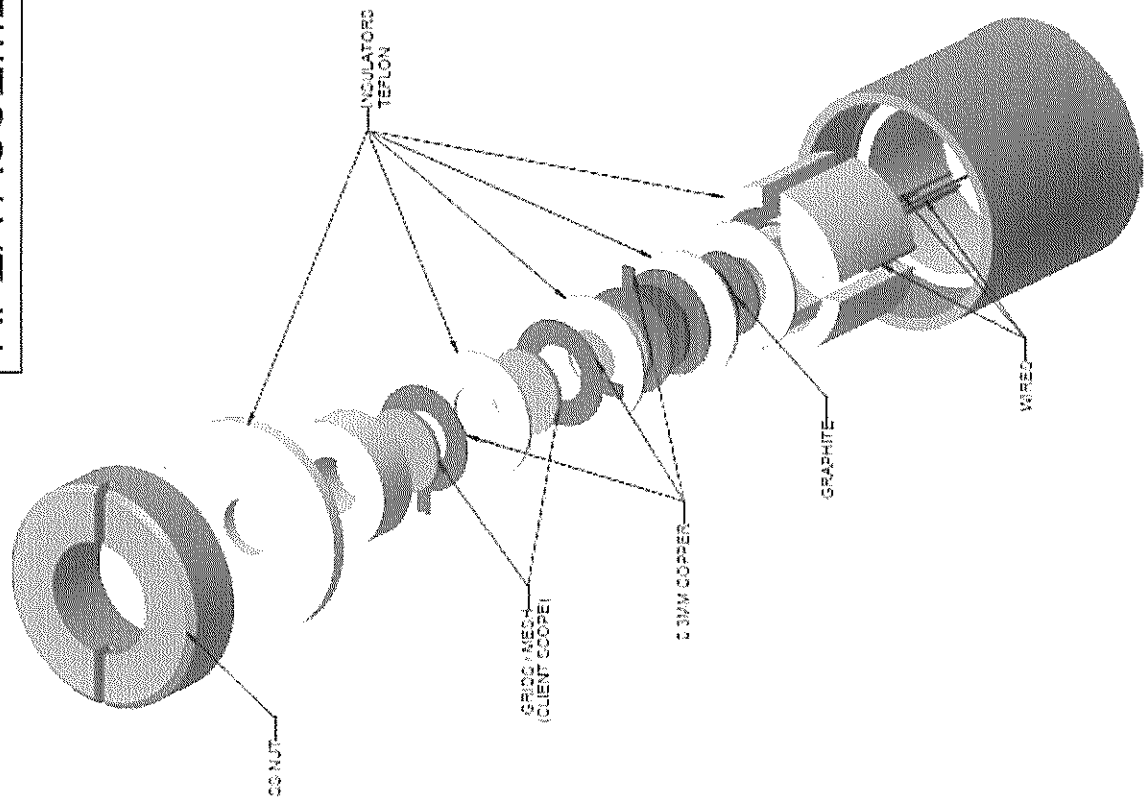
1. RFEA set up is to be made in a single metallic housing of RFEA for four spacers as given below:

- i. For assembly with spacer 0.5 mm;
- ii. For assembly with spacer 1 mm;
- iii. For assembly with spacer 1.5 mm;
- iv. For assembly with spacer 2 mm.

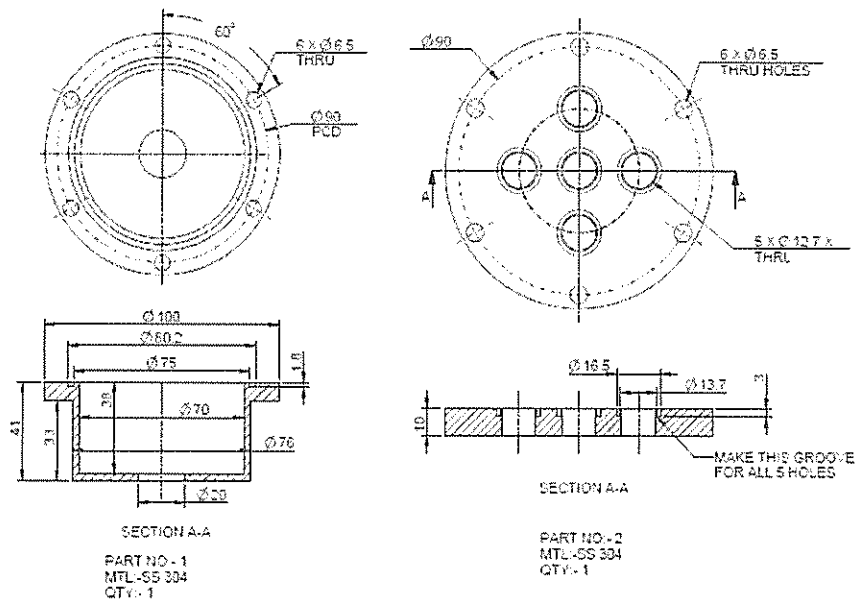
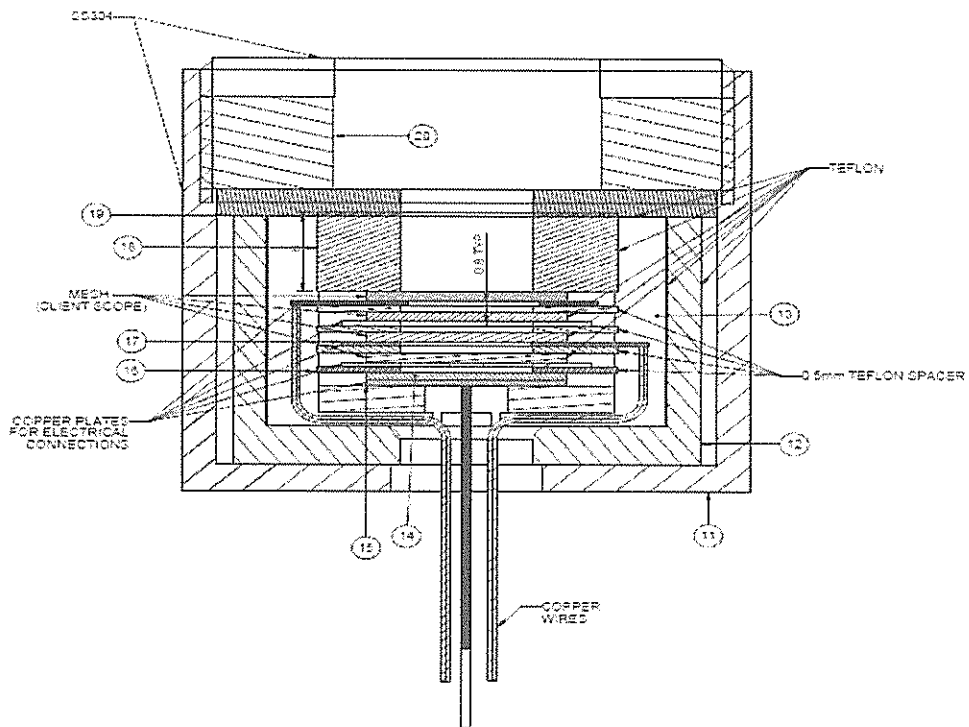
The design of RFEA set up is given in next page:

Annexure-I

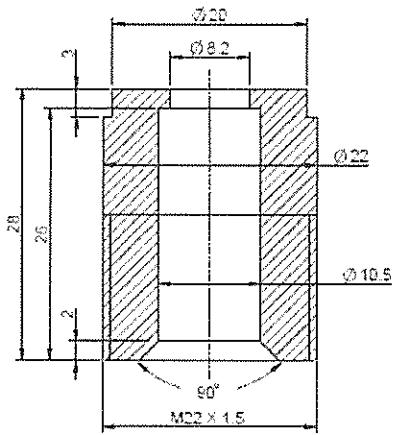
RFEA ASSEMBLY



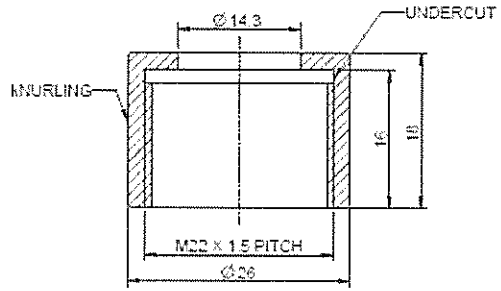
1.1 The design of RFEA Assembly with spacer 0.5 mm is shown below: -



Annexure-I

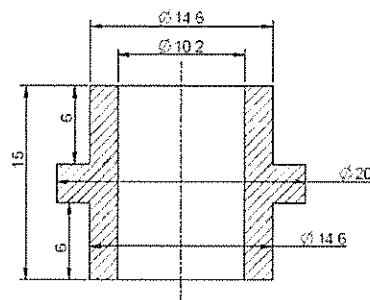


PART NO - 3  
MTL-SS 304  
QTY:- 1



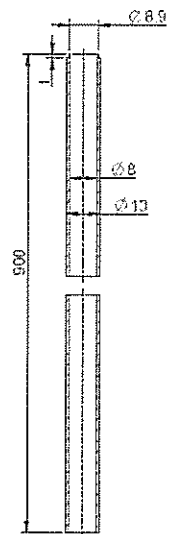
SECTION S-S

PART NO - 4  
MTL-SS 304  
QTY:- 1



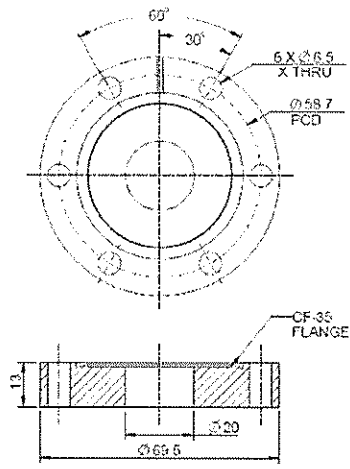
SECTION Y-Y

PART NO - 5  
MTL-TEFLON  
QTY:- 1



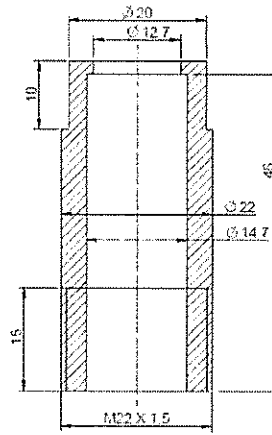
PART NO - 6  
MTL-SS304  
QTY:- 1

Annexure-I



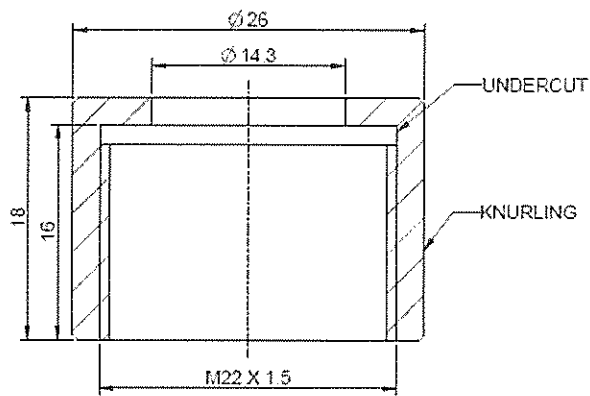
SECTION A-A

PART NO - 7  
MTL - SS304  
QTY - 1



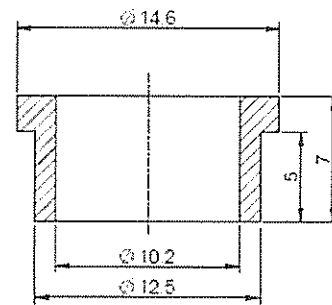
SECTION B-B

PART NO - 8  
MTL - SS304  
QTY - 1



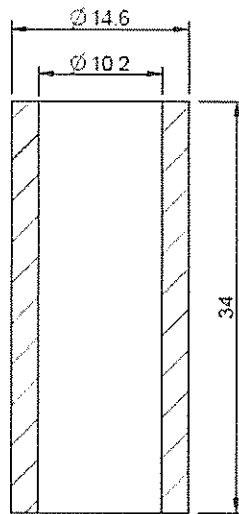
SECTION S-S

PART NO - 9  
MTL - SS304  
QTY - 1

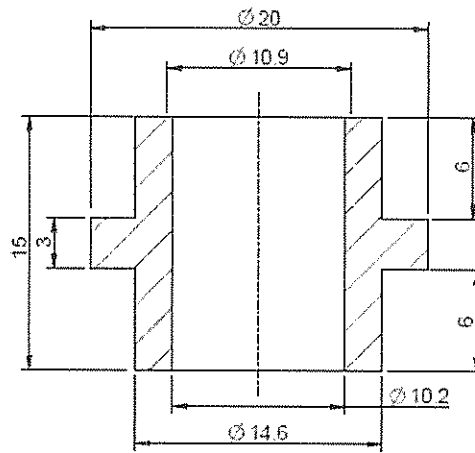


PART NO - 10  
MTL - TEFLON  
QTY - 1

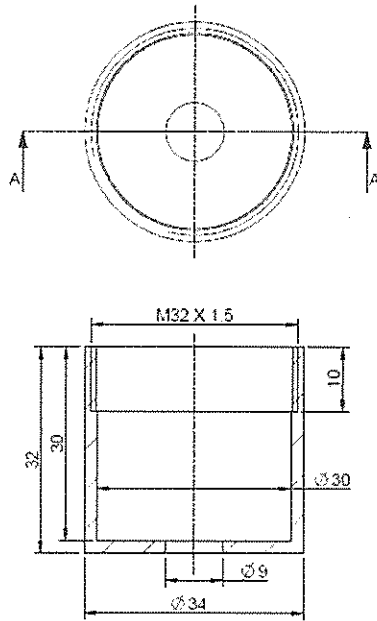
Annexure-I



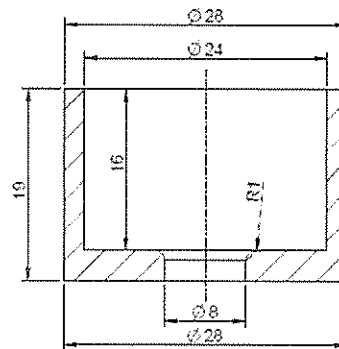
PART NO - 11  
MTL-TEFLON  
QTY - 1



PART NO - 12  
MTL-TEFLON  
QTY - 1

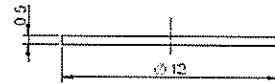
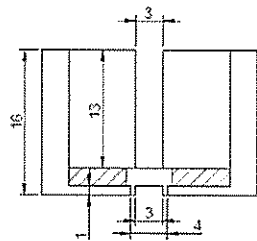
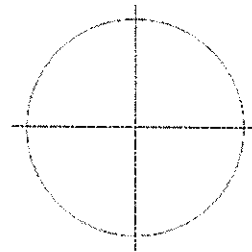
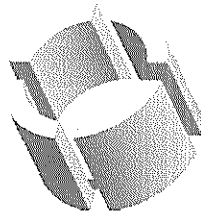
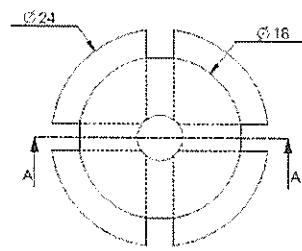


PART NO - 11  
MTL-SS 304  
QTY - 1



PART NO - 12  
MTL-TEFLON  
QTY - 1

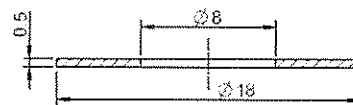
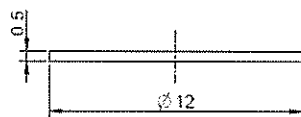
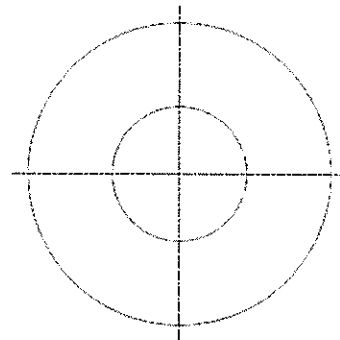
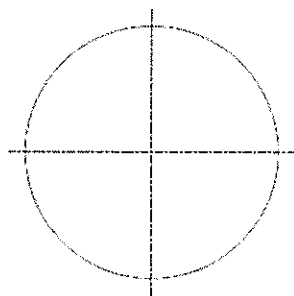
Annexure-I



PART NO - 14  
MTL - GRAPHITH  
QTY - 1

SECTION A-A

PART NO - 13  
MTL - TEFLON  
QTY - 1

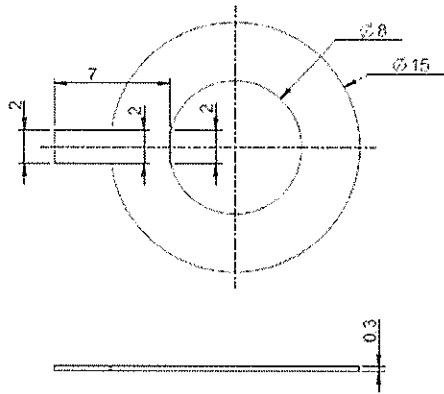


PART NO - 15  
MTL - COPPER  
QTY - 1

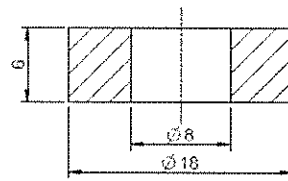
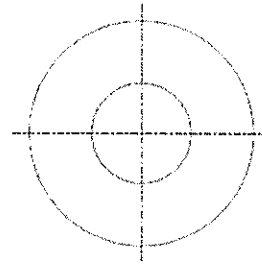
PART NO - 16  
MTL - TEFLON  
QTY - 4



Annexure-I

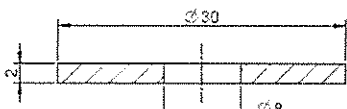
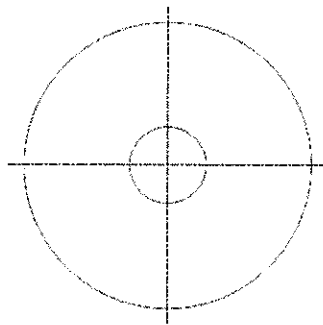


PART NO - 17  
MTL - COPPER  
QTY - 4



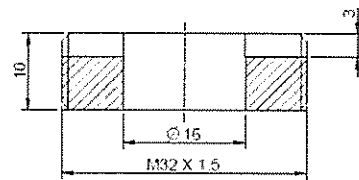
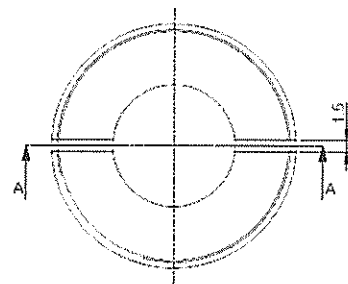
SECTION A-A

PART NO - 18  
MTL - TEFLON  
QTY - 1



SECTION A-A

PART NO - 19  
MTL - TEFLON  
QTY - 1

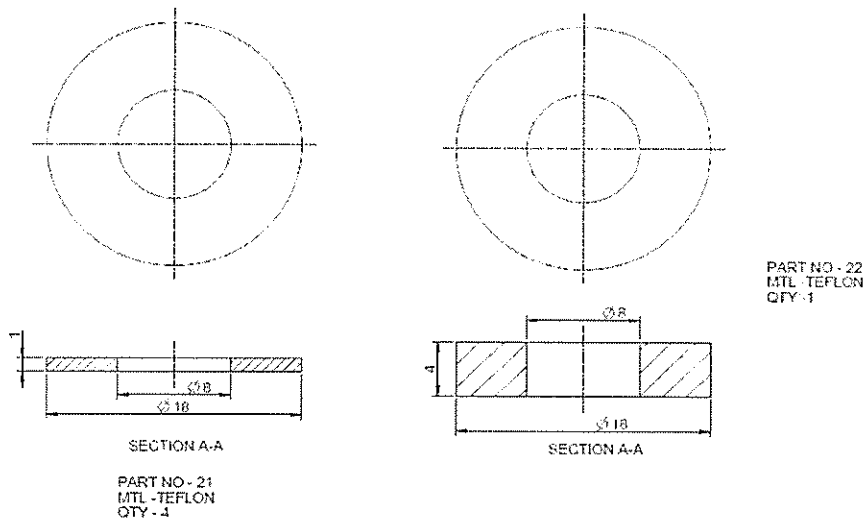


SECTION A-A

PART NO - 20  
MTL - SS304  
QTY - 1

**1.2 The design of RFEA Assembly with spacer 1 mm is shown below: -**

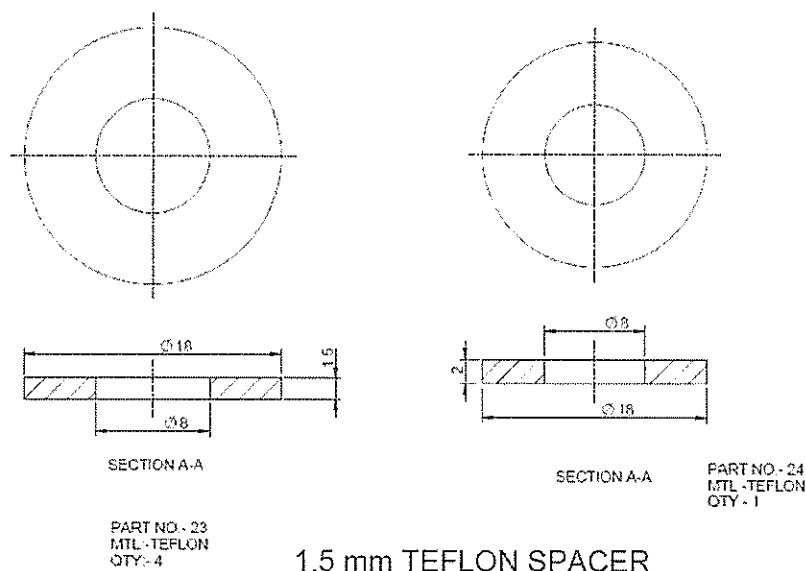
Except Part No 16 and 20, all other parts' design and dimensions will be same. Part No 16 & 20 are mentioned as Part No. 21 & 22.



**1mm TEFLON SPACER**

**1.3 The design of RFEA Assembly with spacer 1.5 mm is shown below: -**

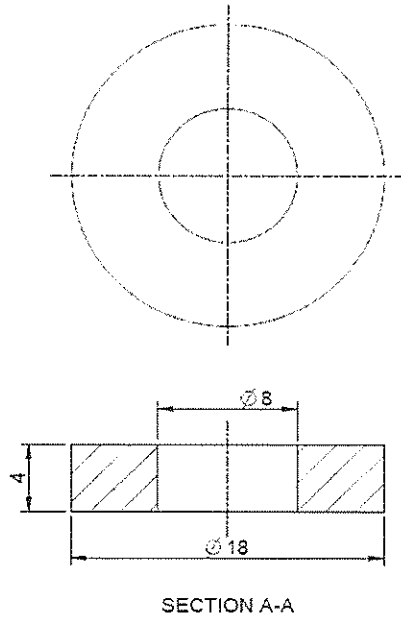
Except Part No 16 and 20, all other parts' design and dimensions will be same. Part No 16 & 20 are mentioned as Part No. 23 & 24.



**1.5 mm TEFLON SPACER**

1.4 The design of RFEA Assembly with spacer 2 mm is shown below: -

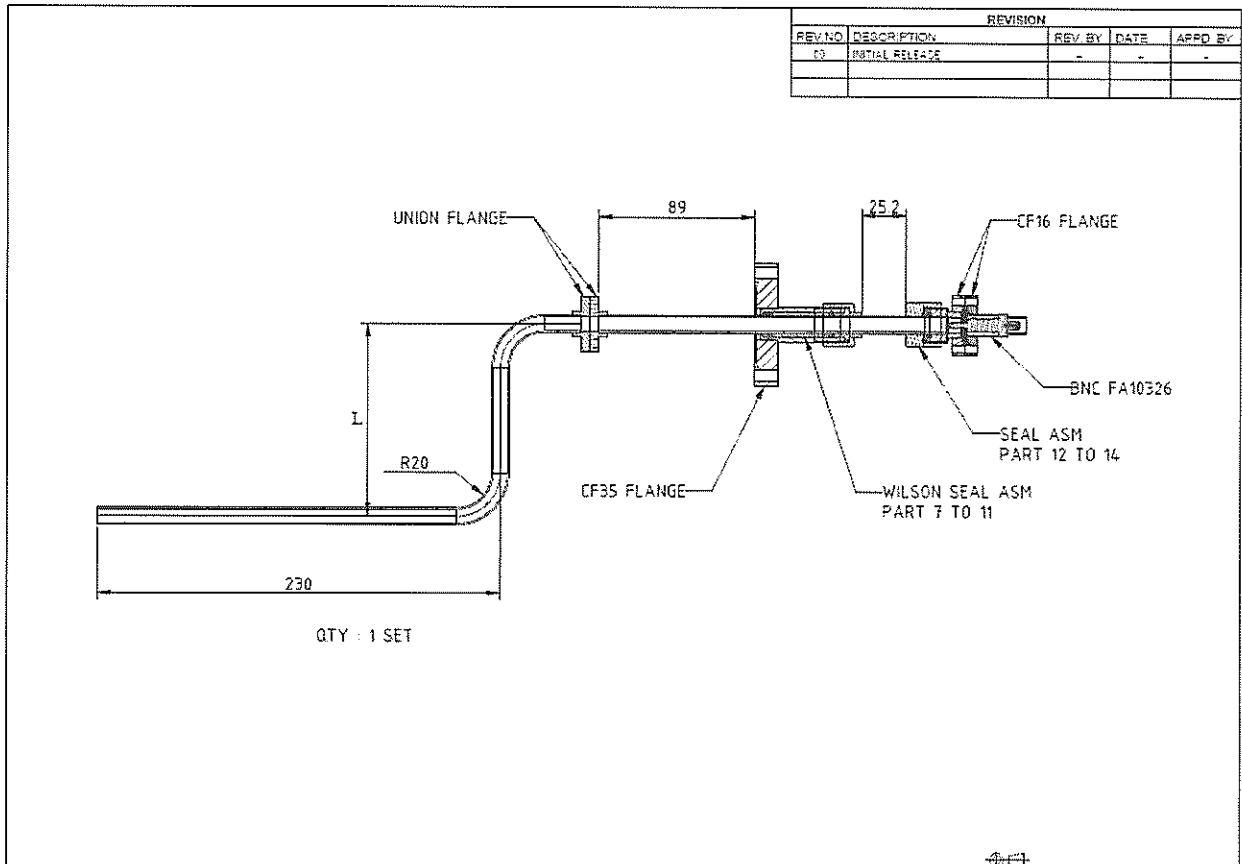
Except Part No 16, all other parts' design and dimensions will be same. Part No 16 is mentioned as Part No. 25 and Part No 20 will not be used.



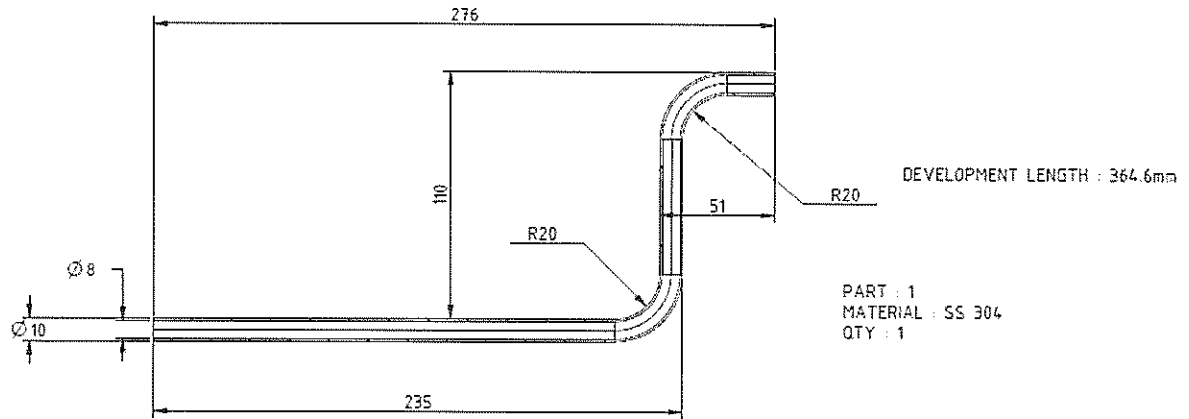
PART NO:- 25  
MTL:-TEFLON  
QTY:- 1

1. Design of the Helicon probe and its attachments:
  - 1.1 For assembly with L = 110 mm
  - 1.2 For assembly with L = 80 mm
  - 1.3 For assembly with L = 55 mm
  - 1.4 For assembly with L = 25 mm
  - 1.5 Other attachments of the Helicon probe

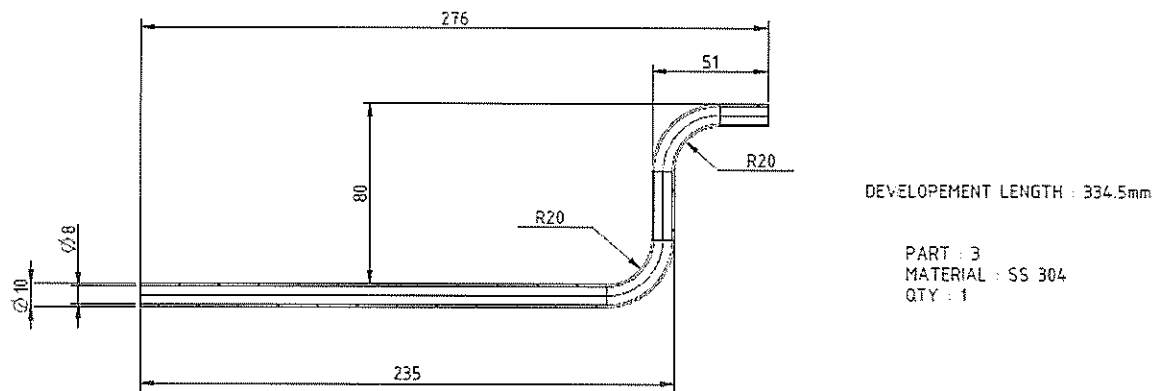
1. Design of the Helicon probe:



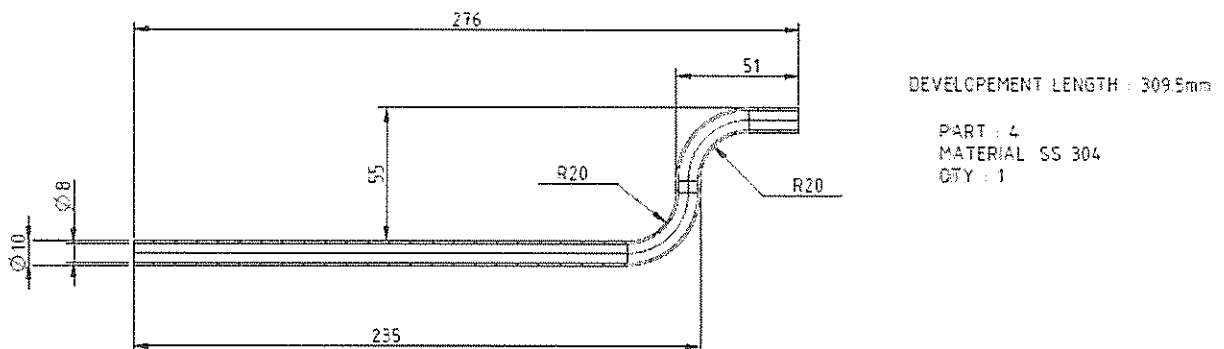
1.1 For assembly with L = 110 mm



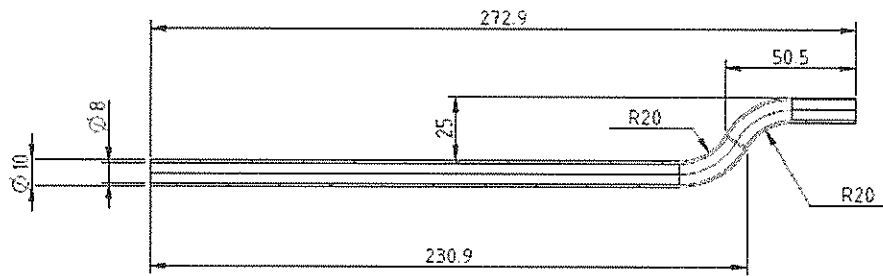
1.2 For assembly with L = 80 mm



1.3 For assembly with L = 55 mm



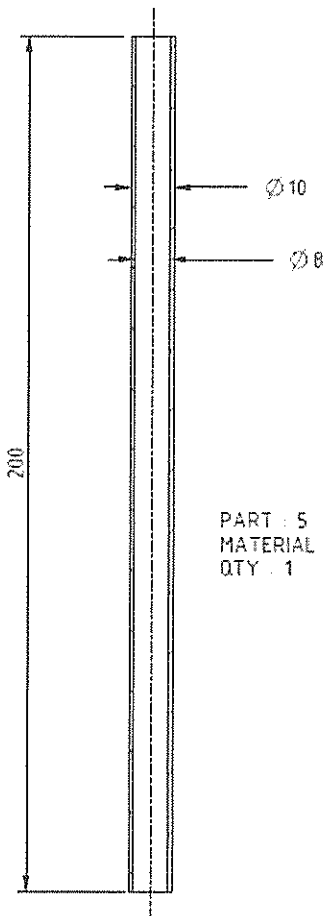
1.4 For assembly with L = 25 mm



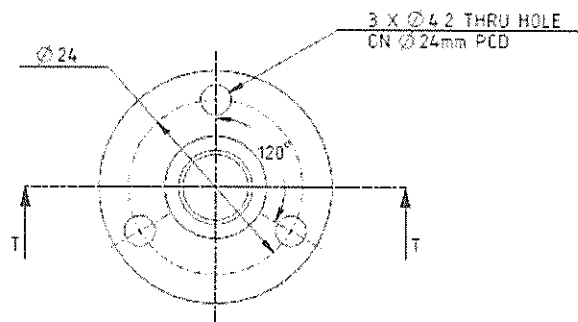
PART : 2  
 MATERIAL : SS 304  
 QTY : 1

DEVELOPEMENT LENGTH : 282mm

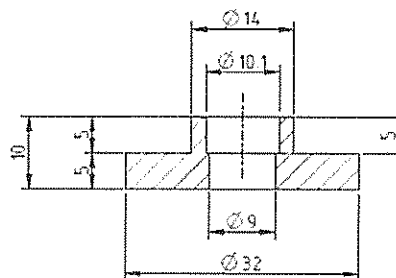
1.5 Other attachments of the Helicon probe



PART : 5  
 MATERIAL : SS 304  
 QTY : 1

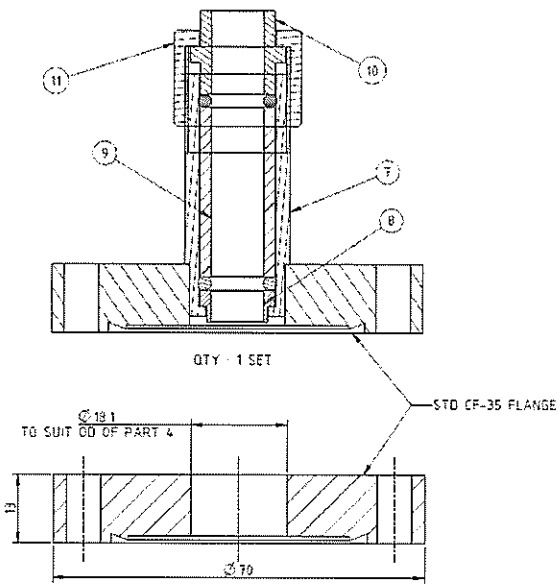


PART : 6  
 MATERIAL : SS 304  
 QTY : 5

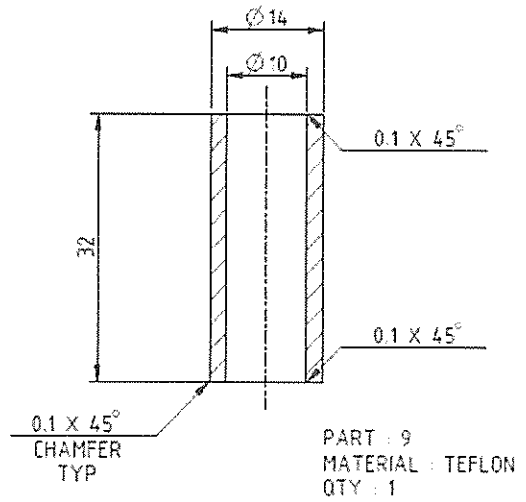
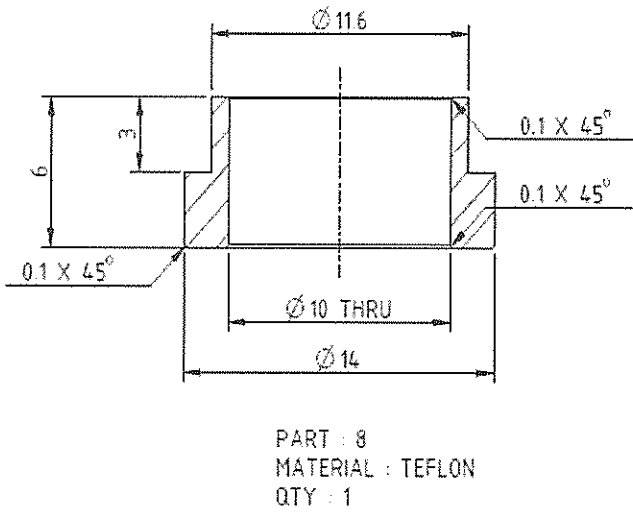
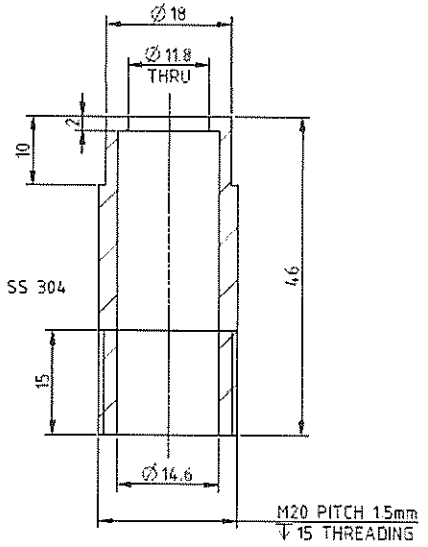


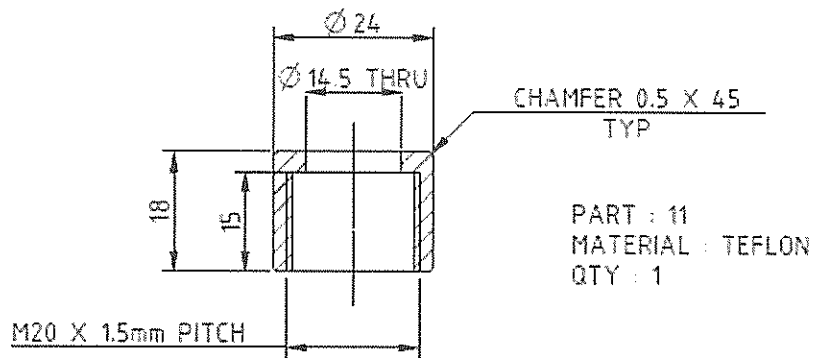
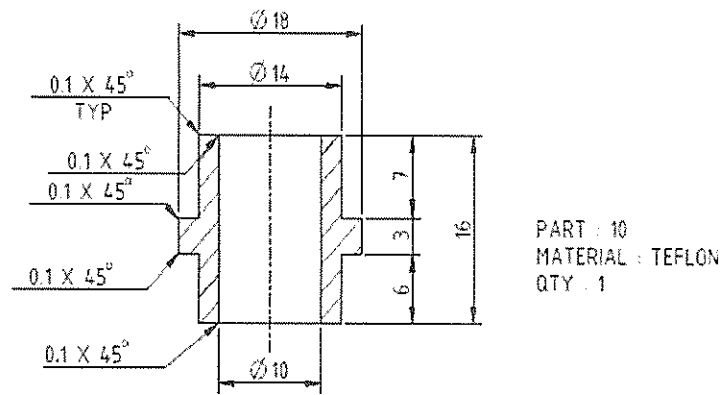
SECTION T-T

WILSON SEAL ASSEMBLY

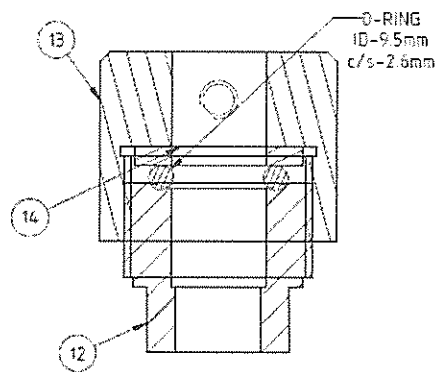


PART : 7  
 MATERIAL : SS 304  
 QTY : 1



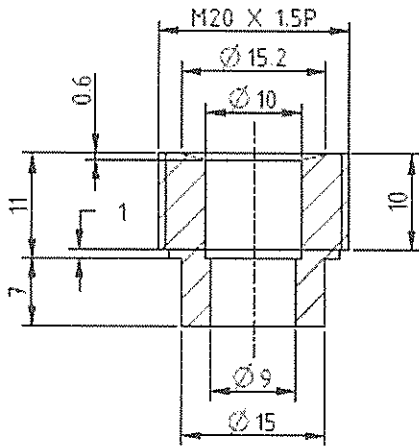


SEAL ASSEMBLY

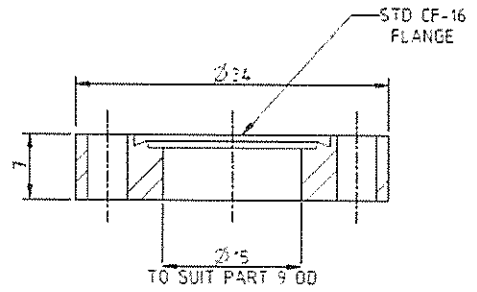


QTY 1 SET

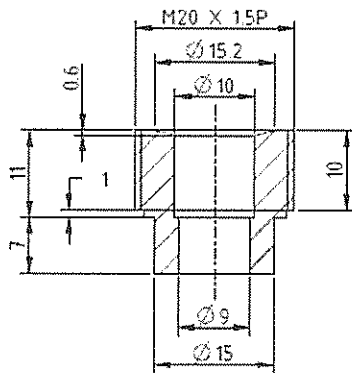




PART : 12  
MATERIAL : DELRIN  
QTY : 1

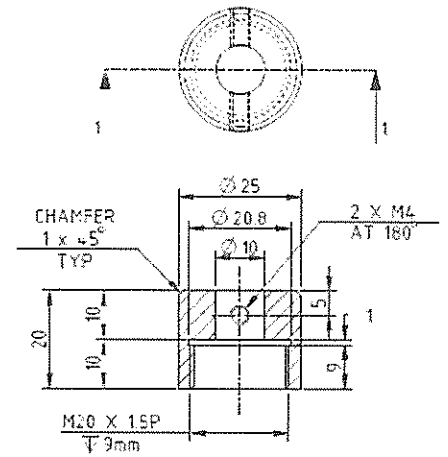
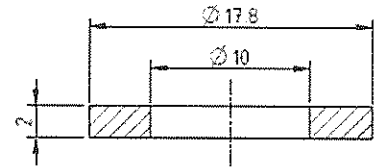


PART : 13  
MATERIAL : DELRIN  
QTY : 1

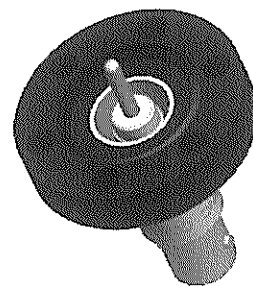
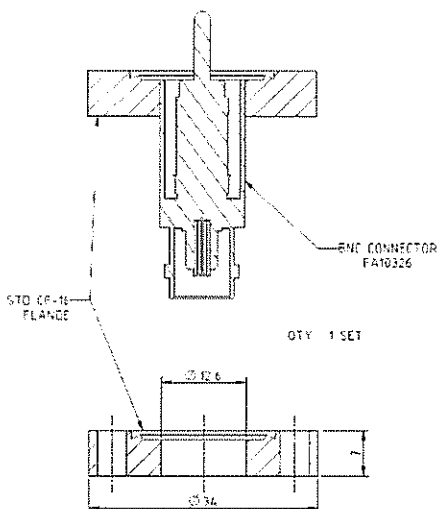


PART : 12  
MATERIAL : DELRIN  
QTY : 1

BNC ON CF-16



SECTION 1-1  
PART : 14  
MATERIAL : DELRIN  
QTY : 1



Note: Supplier must fill up compliance table for specifications, terms and conditions & acceptance criteria.

Specifications: RFEA Assembly and Helicon Probe with extension

| Sl. No. | Item   | Description/Values/Range  | Complied (Yes/No) with remarks, if any. |
|---------|--|---|---|
| 1       | Fabrication and supply of Retarding Field Energy Analyzer (RFEA) Assembly with 0.5 mm, 1 mm, 1.5 mm, 2 mm spacer | Design, length, and dimension should be as per the specification given in the Annexure-I  |   |
| 2       | Fabrication and supply of Helicon probe with 110 mm extension  | Design, length, and dimension should be as per the specification given in the Annexure-II |   |
| 3       | Extension bend pipe. Lengths 80 mm, 55 mm and 25 mm  |   |   |

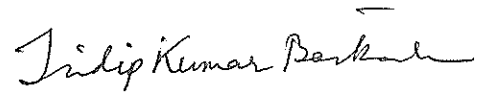
| Sl. No. | Terms and Conditions   | Complied (Yes/No with remarks, if any). |
|---------|--|---|
| i.      | Drawings and technical documents, if any, to be submitted to CPP-IPR for approval before commencing fabrication. |   |
| ii.     | Surface finish: 3 delta  |   |
| iii.    | Tolerance: +-0.1 mm  |   |

| Sl. No. | Acceptance criteria  | Complied (Yes/No with remarks, if any). |
|---------|--|---|
| 1.      | Declaration from manufacturer that items are compatible for use in vacuum upto $10^{-6}$ mbar.         |   |
| 2.      | Dimensional check on specifications confirming compliance will be performed at CPP-IPR after delivery. |   |

Seal and signature of vendor

**Important Note for bidder:**

|                                    |   |
|------------------------------------|---|
| <b>Special terms and condition</b> | (i) Packing list should be provided with the supplied items.<br>(ii) The items should reach CPP-IPR without any damage.<br>(iii) The test certificate/report of the material from the manufacturer/supplier should be provided with the supply.<br>(iv) The test report and the sizes of the supplied items will be checked at CPP-IPR and the items will be accepted if there is no discrepancy to the supplied items with the quoted items. |
| <b>Delivery Time</b>               | Within 2 (Two) months from the purchase order/drawing approval  |
| <b>Technical compliance sheet</b>  | Bidder must submit the filled (Technical parameter) and signed copy of technical compliance sheet enclosed with the enquiry.  |




Chairman Purchase Committee

### **Additional Clauses for Tenders:**

- I. Any bidder from a country which shares a land border with India will be eligible to bid in this tender only if the bidder is registered with the Competent Authority.
- II. "Bidder" (including the term 'tenderer' 'consultant' or 'service provider' in certain contexts) means any person or firm or company, including any member of a consortium or joint venture (that is an association of several persons, or firms or companies), every artificial juridical person not falling in any of the descriptions of bidders stated herein before, including any agency branch or office controlled by such person, participating in a procurement process.
- III. "Bidder from a country which shares a land border with India" for the purpose of this Order means:
  - a. An entity incorporated, established or registered in such a country; or
  - b. A subsidiary of an entity incorporated, established or registered in such a country; or
  - c. An entity substantially controlled through entities incorporated, established or registered in such a country; or
  - d. An entity whose beneficial owner is situated in such a country; or
  - e. An Indian (or other) agent of such an entity; or
  - f. A natural person who is a citizen of such a country; or
  - g. A consortium or joint venture where any member of the consortium or joint venture falls under any of the above
- IV. The beneficial owner for the purpose of (iii) above will be as under:
  1. In case of a company or Limited Liability Partnership, the beneficial owner is the natural person(s), who, whether acting alone or together, or through one or more juridical person, has a controlling ownership interest or who exercises control through other means. Explanation.
    - a. "Controlling ownership interest" means ownership of or entitlement to more than twenty-five percent of shares or capital or profits of the company;
    - b. "Control" shall include the right to appoint majority of the directors or to control the management or policy decisions including by virtue of their shareholding or management rights or shareholders' agreements or voting agreements;
  2. In case of a partnership firm, the beneficial owner is the natural person(s) who, whether acting alone or together, or through one or more juridical person, has ownership of entitlement to more than fifteen percent of capital or profits of the partnership;
  3. In case of an unincorporated association or body of individuals, the beneficial owner is the natural person(s), who, whether acting alone or together, or through one or more juridical person, has ownership of or entitlement to more than fifteen percent of the property or capital or profits of such association or body of individuals;
  4. Where no natural person is identified under (1) or (2) or (3) above, the beneficial owner is the relevant natural person who holds the position of senior managing official;
  5. In case of a trust, the identification of beneficial owner(s) shall include identification of the author of the trust, the trustee, the beneficiaries with fifteen percent or more interest in the trust and any other natural person exercising ultimate effective control over the trust through a chain of control or ownership.
- V. An Agent is a person employed control over the trust through a chain of control or ownership.
- VI. [To be inserted in tenders for Works contracts, including Turnkey contracts] The successful bidder shall not be allowed to sub-contract works to any contractor from a country which shares a land border with India unless such contractor is registered with the Competent Authority.

#### **Certificate for Tenders for Works involving possibility of sub-contracting**

"I have read the clause regarding restrictions on procurement from a bidder of a country which shares a land border with India and on sub-contracting to contractors from such countries; I certify that this bidder is not from such a country or, if from such a country, has been registered with the Competent Authority and will not sub-contract any work to a contractor from such countries unless such contractor is registered with the Competent Authority. I hereby certify that this bidder fulfils all requirements in this regard and is eligible to be considered. [Where applicable, evidence of valid registration by the Competent Authority shall be attached.]"

|   |   |   |
|---|---|---|
|  | प्लाज्मा भौतिकी केंद्र - प्लाज्मा अनुसंधान संस्थान              |   |
|   | <b>CENTRE OF PLASMA PHYSICS - INSTITUTE FOR PLASMA RESEARCH</b> |   |
|   | नाजिराखात, सोनापुर-७८२ ४०२, असम, भारत                           |   |
|   | Nazirakhat, Sonapur-782 402, Assam, India.                      |   |
|   | Tel. :- 0361 – 2220010<br>Fax :- 0361 – 2313110                 | E-mail :- <a href="mailto:enquiry@cpiipr.res.in">enquiry@cpiipr.res.in</a><br>Web: <a href="http://www.cpiipr.res.in">www.cpiipr.res.in</a> |

Form No: CPP-IPR-EQL-01.V2

### INSTRUCTIONS TO BIDDERS AND TERMS AND CONDITIONS

1. The Quotation and any order resulting from this enquiry shall be governed by our Conditions of Contract/Purchase Order and supplier quoting this enquiry shall be deemed to have read and understood the same in toto.
2. Where counter terms and conditions have been offered by the Tenderer, the same shall not be deemed to have been accepted by CPP-IPR unless our specific written acceptance thereof is obtained.
3. **Quotation:** Quotation should be submitted in the prescribed QUOTATION FORMAT attached with this Enquiry and the same should be submitted to the Purchase Officer, CPP-IPR in a sealed envelope superscribing the same with our enquiry No., date, due date and brief description of item on or before the due date. Late/delayed/incomplete/unsigned quotations will not be considered. Envelopes received without Enquiry number, date, due date and brief description of item may be rejected. The quoted prices should be firm for a period of 90 days from due date for placing order. CPP-IPR is not bound to accept lowest rate/s. CPP-IPR reserves the right to place on one or more parties. The scope of supply includes insurance by the Contractor/Supplier.
4. **Specifications:** Material should be offered strictly confirming to our specifications/drawings. Deviation, if any, should be clearly indicated by the supplier in their quotation. The Tenderer should also indicate the Make/Type number of the materials offered and catalogues, technical literature and samples, wherever necessary should accompany the quotation. Clarification/s on drawings should be obtained before submitting quotation.
5. **Terms of Prices:** Quotation should be submitted on door delivery basis without extra charge wherever possible. For quotations on Ex-Works, Ex-godown basis the approximate packing and forwarding charges should be indicated by the supplier. In the case of local suppliers, the material is to be delivered at our stores free of charge.
- 5.1 In respect of tenders on Ex-works basis, in case the tenderer has not mentioned in the offer packing, forwarding and transportation charges for safe delivery up to Purchaser's site, 2% of the price quoted towards packing (in respect of both local and outstation firms), 1% of the basic price quoted towards safe delivery charges in respect of local tenderer and 3% of the basic price quoted towards safe delivery charges in respect of outstation firm will be added for comparison of offers on safe door delivery at Purchaser's site.
- 5.2 Prices are required to be quoted according to the units indicated in the tender form/Enquiry. When Quotations are given in terms of units other than those specified in the tender form, relationship between the two sets of units must be furnished
6. Tender should be free from Correction and Erasures. Corrections, if any, must be attested. All amounts shall be indicated both in words as well as in figures. Where there is difference between amounts quoted in words and figures, amount quoted in words shall prevail. Unsigned quotations will summarily be rejected. If there is a discrepancy between the unit price and total price, unit price shall prevail.

7. CPP-IPR shall be under no obligation to accept the lowest or any tender and reserves the right of acceptance of the whole or any part of the tender or portion of the quantity offered and the tenderers shall supply the same at the rate quoted.
8. **Goods & Services Tax (GST):** The details of Taxes/GST and other levies legally leviable and intended to be claimed should be clearly indicated in the tender. Where this is not done, no claim on these accounts would be admissible later.

a) **GST for Goods (IGST/CGST/SGST TAX BENEFITS):**  
CPP-IPR is entitled to avail tax benefit as per the following notifications issued by Ministry of Finance, Department of Revenue, Government of India:

- (1) No: 47/2017-INTEGRATED TAX (RATE) DATED 14/11/17 for IGST  
(2) No: 45/2017-CENTRAL TAX (RATE) DATED 14/11/17 for CGST

And,

CPP-IPR is entitled to avail tax benefit as per the following notifications issued by Finance (Taxation) Department, Government of Assam:

- (1) No. 45/2017-STATE TAX (RATE) DATED 14/12/17 for SGST


As per above notifications CPP-IPR will bear only 5% IGST for procurement of goods from outside Assam & 2.5% CGST and 2.5% SGST (total 5%) for procurement of goods within Assam. Vendors are required to charge tax as per these notifications while quoting/supplying the goods. Deviations, (if any) should be clearly mentioned in the quotation/offer.

**Please specify the HSN codes while quoting.**

b) **GST for Services:** As applicable. Specify the SAC codes wherever services are involved.

9. **Earnest Money Deposit (EMD):** Tenderer should furnish EMD if asked for by the Purchaser.
10. **Delivery Date:** Delivery period is essence of the Contract. Supplier must indicate the firm delivery date by which the materials will be dispatched/delivered by them from the date of our order. Delivery period shall be clearly indicated against each item separately.
11. **Price/ Purchase Preference:** Purchase/Price preference to industries will be given as per the policy of the Government of India in force at the time of evaluation provided their offer is in compliance with the conditions of the policy.
12. **Liquidated Damages:** The successful Vendor/Bidder should pay liquidated damages @ ½% (half percent) of the total contract/order value for the delay of each week or part of week in the scheduled date of completion of the work envisaged in the Contract/Purchase Order subject to a maximum of 5% (Five percent) of the total Contract/Order value.
13. **Inspection:** Materials on its arrival at CPP-IPR will be inspected by our Engineer/Stores Officer, and his decision in the matter will be final. However, where the items are required to be inspected at the Suppliers Premises, Supplier has to give advance notice to the Purchase regarding readiness of the material to enable Purchase/Stores section to depute his representative for inspection.
14. **Payment:** Payment will be arranged for accepted materials only within 30 days from the date of receipt of materials at CPP-IPR and bills in our accounts section, completed in all respects.
15. No correspondence will be entertained within 30 days from the date of receipt of material and bills, whichever is later.

16. **Guarantee:** The Stores offered should be guaranteed for a minimum period of twelve months, from that date of acceptance, against defective materials, design, workmanship, operation or manufacture. For defects noticed and communicated during the Guarantee period, replacement/rectification should be arranged free of cost within a reasonable period of such notifications. In case where our specifications call for a guarantee period more than 12 months specifically, then such a period shall apply.
17. **Performance Bank Guarantee:** If demanded by CPP-IPR, the successful bidder will have to furnish Performance Bank Guarantee for 10% of the order value (basic price) from a Nationalised/Scheduled Bank/State Bank of India, valid throughout the Guarantee/Warranty period. The scheduled banks approved by CPP-IPR are Axis Bank, HDFC Bank, ICICI Bank and IDBI Bank. Bank Guarantees submitted other than from banks approved by CPP-IPR will not be accepted.
18. **Security Deposit:** If demanded the successful Bidder will have to furnish to the Purchaser an interest free security deposit for 10% (Ten percent) of the order value in the form of Bank Guarantee of an equivalent amount from a nationalized/ scheduled Bank/State Bank of India within 15 days from the date of LOI/Purchase order and the said Guarantee should be valid till the goods are accepted by CPP-IPR. The scheduled banks approved by CPP-IPR are Axis Bank, HDFC Bank, ICICI Bank and IDBI Bank. Bank Guarantees submitted other than from banks approved by CPP-IPR will not be accepted. The Security deposit shall be forfeited in case the selected Bidder does not start the work within the time limit specified or fail to complete the work within the stipulated delivery period or fail to comply with any of the terms and conditions in the purchase order/contract. On successful completion of scope of work and its acceptance by CPP-IPR, supplier should send a letter to the Purchase Officer to return the original BG.
19. The Contractor/Supplier shall at all times indemnify the purchase against all claims which may be made in respect of the stores for infringement of any right protected by Patent Registration of design or Trade Mark and shall take all risk of accidents or damage, which may cause failure of supply from whatever cause arising and the entire responsibility for sufficiency of all means used by him for the fulfilment of the contract.
20. **Free Issue Material (FIM):** Successful tenderer will have to arrange insurance showing beneficiary as "Centre of Plasma Physics-Institute for Plasma Research" at their risk and cost towards adequate security for the materials/property provided/issued by the Purchaser as Free Issue Material for the due execution of the contract.
21. The Acting Centre Director, CPP-IPR reserves the right to accept or reject any quotations fully or partly or to cancel the enquiry without assigning any reason
22. **Jurisdiction:** The contract shall be governed by the Laws of India for the time being in force. The Courts of Guwahati only shall have jurisdiction to deal with and decide any legal or dispute arising out of this Contract/Purchase Order.



**Chairman Purchase Committee**

TENDER FORM  
प्लाज्मा भौतिकी केंद्र - प्लाज्मा अनुसंधान संस्थान  
(भारत सरकार के परमाणु ऊर्जा विभाग का सहायता प्राप्त संस्थान)  
नाजिराखात, सोनापुर-७८२ ४०२, असम, भारत  
दरूभाष: 0361-2220010, फैक्स: 0361-2313110

---

Following terms are replaced in our Form for Tender No. CPP-IPR/EQL/2021-22/67 dated 03.11.2021

- 1) Sr. No. 9 under heading "Earnest Money Deposit (EMD)" of Form No. CPP-IPR-EQL-01.V2 (Terms and Conditions) is deleted.
- 2) Sr.No.10 under heading "Delivery" of Form No. CPP-IPR-EQL-01.V2 (Terms and Conditions) is replaced with the following:  
**Delivery:** All equipment/machinery/plant/component covered by this tender document should be supplied within 2 (Two) months from the date of Purchase Order. The prices quoted by the tenderer should include all charges involved for direct and safe delivery of the items by Road to the project site of the Purchaser. If a tenderer so desires/separate lump sum charges for transportation and safe delivery to Purchaser's site could be furnished. Purchaser will neither undertake responsibility for transit insurance nor pay for it separately. No other, delivery term will be accepted by the Purchaser
- 3) Sr. No. 17 & 18 under heading "PBG & SD" of Form No. CPP-IPR-EQL-01.V2 (Terms and Conditions) is deleted.

**IMPORTANT NOTE:**

[1] QUOTATIONS ARE INVITED IN INDIAN CURRENCY ONLY

[2] QUOTATIONS RECEIVED OTHER THAN "INR" QUOTE SHALL SUMMARILY BE REJECTED.



(This need to be printed in Bidders letter head)

1. Please quote with complete technical details.
2. Quotation should be submitted with below (Quotation format) else CPP-IPR shall not consider the offer submitted by the vendor for further evaluation

NAME OF PARTY : \_\_\_\_\_  
ENQUIRY NO : \_\_\_\_\_ DUE ON: \_\_\_\_\_  
QUOTATION NO : \_\_\_\_\_ DATE: \_\_\_\_\_

**Currency of Quotation: Indian Rupees**

| Sr. No | Item Description | HSN/ SAC code | Quantity | Unit Rate | P & F | GST | Rate (P&F + GST) | Total Amount |
|--------|------------------|---------------|----------|-----------|-------|-----|------------------|--------------|
|        |                  |               | a        | b         | c     | d   | e = b+c+d        | F= a x e     |
| 1      |                  |               |          |           |       |     |                  |              |
| 2      |                  |               |          |           |       |     |                  |              |
| 3      |                  |               |          |           |       |     |                  |              |
| 4      |                  |               |          |           |       |     |                  |              |
| 5      |                  |               |          |           |       |     |                  |              |
| 6      |                  |               |          |           |       |     |                  |              |

| Sr. No. | PARTICULAR                         | BIDDER'S REMARKS |
|---------|------------------------------------|------------------|
| I.      | Ex-works / FOR Destination         |                  |
| II.     | Freight                            |                  |
| III.    | Insurance                          |                  |
| IV.     | Delivery Period                    |                  |
| V.      | Payment (CPP-IPR terms will apply) |                  |
| VI.     | Guarantee / Warrantee              |                  |
| VII.    | Validity Period                    |                  |
| VIII.   | Discount (if any)                  |                  |
| IX.     | Remarks                            |                  |

Note: Enclose technical compliance sheet with your quotation Fill in the all applicable details.

Place:

Authority Signatory

Date:

Company Seal

**Bidder should submit the copy of GSTIN / ARN Certificate along with the offer. Bidder should specify the SUPPLY and SERVICE rates/ charges separately wherever applicable**